

CODE NUMBER

10101312

DESCRIPTION

SU-1010 Urinal and ROYAL 195 ESS Flushometer.

COMPONENTS

- Flushometer: Code 3453268
- Urinal: Code 1101010

DETAILS

- Flush Volume: 0.125 gpf (0.5 Lpf)
- Nominal Dimensions: 14 ¼" x 17 ¼" x 25 ½" (362 x 438 x 648mm)

FLUSHOMETER FEATURES

Quiet, Concealed, Diaphragm Type, Rough Brass Urinal Flushometer for either left or right hand supply with the following features:

- PERMEX® Synthetic Rubber Diaphragm with Dual Linear Filtered Bypass
- Chrome Plated Exposed Flushometer Parts
- Non-Hold-Open Integral Solenoid Operator, Fixed Metering Bypass and No External Volume Adjustment to Ensure Water Conservation
- Stop Seat and Vacuum Breaker molded from PERMEX® Rubber Compound for Chloramine Resistance
- Chrome Plated
- High Back Pressure Vacuum Breaker Flush Connection and Spud Coupling for ¾" Concealed Back Spud
- Flush accuracy controlled by CID® technology
- ¾" I.P.S. Wheel Handle Bak-Chek® Angle Stop
- Watersense compliant when used with a WaterSense compliant urinal fixture

FIXTURE FEATURES

- Washdown flushing action
- All mounting hardware included
- Integral flushing rim
- 100% factory flush tested
- Carrier not included
- White Vitreous China
- Wall mounted
- ¾" I.P.S. rear spud inlet



COMPLIANCES & CERTIFICATIONS



(ADA Compliant, BAA Compliant, BREEAM Water Credit, CalGreen Compliant, CEC Compliant, cUPC Green Certified, Green Globes Water Credit, LEED V4 Water Efficiency Credit, Satisfies LEED Credits, UL Certified)

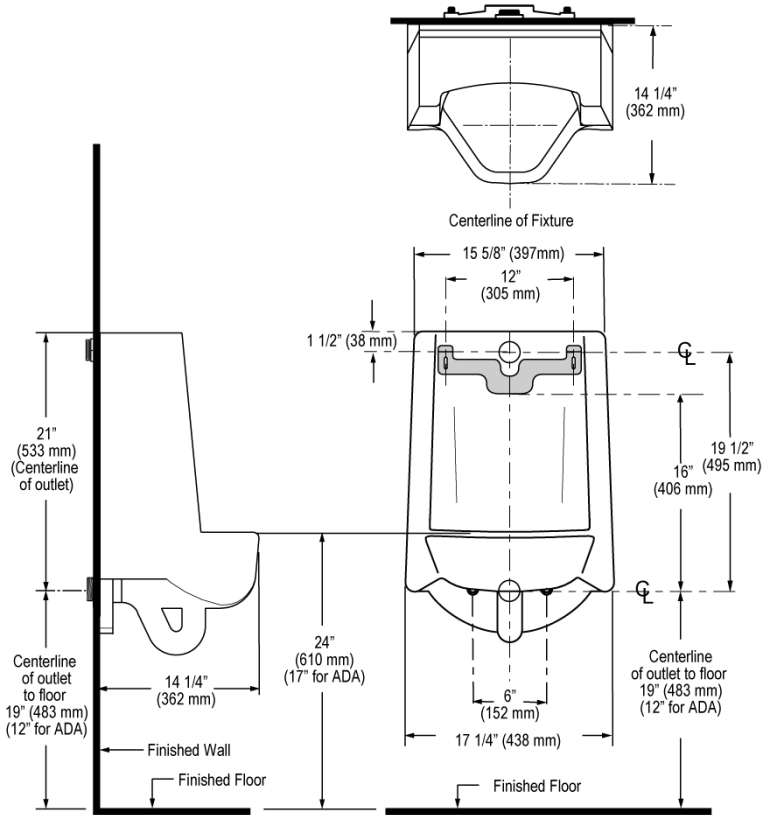
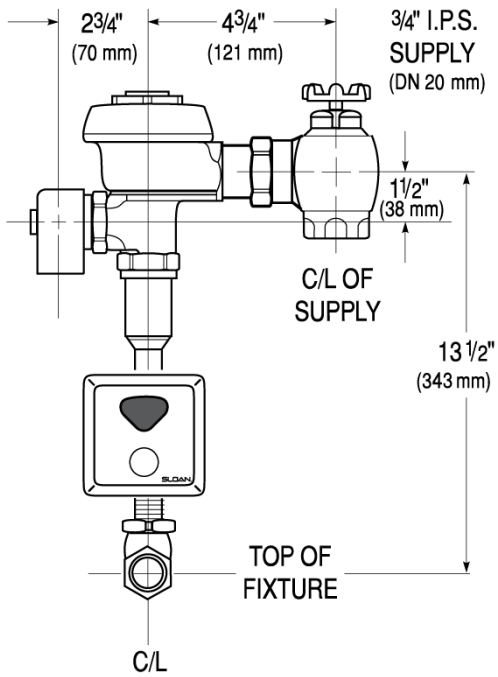
DOWNLOADS

- [Standard Spud Urinal Installation Instructions](#)
- [SS/ST/SU/WETS/WEUS Fixtures Repair and Maintenance Guide](#)
- [Additional Downloads](#)

NOTES

All information contained within this document subject to change without notice.

ROUGH-IN



Sloan 10500 Seymour Ave, Franklin Park, IL 60131
Phone: 800.982.5839 • Fax: 800.447.8329 • sloan.com